

INTERCONNECTS

SERIES 340 & 399 • .050" AND .100" GRID SURFACE MOUNT HEADERS & SOCKETS • SINGLE ROW STRIPS

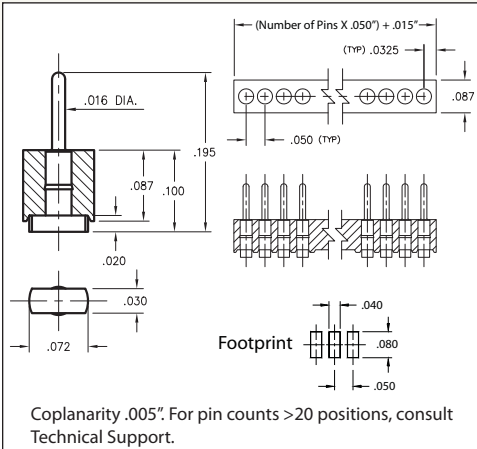


FIG. 1

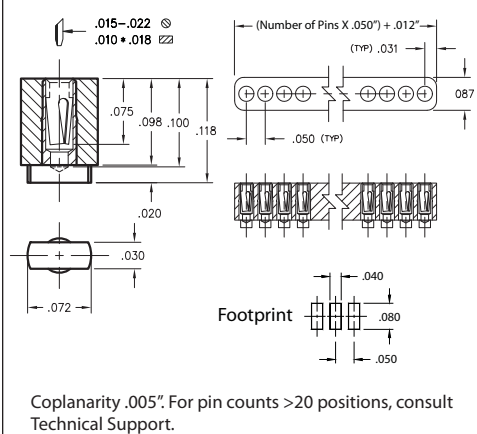


FIG. 2

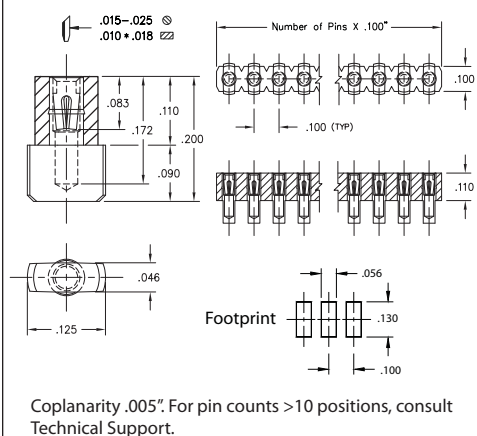


FIG. 3

- Series 340 and 399 interconnects are single row headers & sockets having unique surface mount "block" terminals
- "Block" termination makes the interconnects "self standing". This also minimizes profile and reduces the footprint compared with traditional "gullwing" designs
- Series 399 is a matched pair of .050" pitch sockets and headers with a mated height of only .218"
- Series 340 is a .100" pitch SIP socket using a Hi-Rel, 4-finger BeCu #30 contact rated at 3 amps. See page 253 for details
- Insulators are high temperature thermoplastic, suitable for all soldering processes



ORDERING INFORMATION

FIG. 1	Series 399...310	Single Row .050" Grid Header			
		399-10-0	-00-310000		
	Specify number of pins		02-50		
	RoHS-2 2011/65/EU	XX=Plating Code See Below		For Electrical, Mechanical & Environmental Data, See page 264	
	SPECIFY PLATING CODE XX=	10			
	Pin Plating	10 μ" Au			
FIG. 2	Series 399...300	Single Row .050" Grid Socket			
		399-XX-0	-21-300000		
	Specify number of pins		02-50		
	RoHS-2 2011/65/EU	XX=Plating Code See Below		For Electrical, Mechanical & Environmental Data, See page 264	
	SPECIFY PLATING CODE XX=		91	41	
	Sleeve (Pin)	200 μ" Sn/Pb		200 μ" Sn	
	Contact (Clip)	10 μ" Au		10 μ" Au	
FIG. 3	Series 340...780	Single Row .100" Grid Socket			
		340-XX-1	-30-780100		
	Specify number of pins		02-64		
	RoHS-2 2011/65/EU	XX=Plating Code See Below		For Electrical, Mechanical & Environmental Data, See page 264	
	SPECIFY PLATING CODE XX=			99	44
	Sleeve (Pin)	200 μ" Sn/Pb		200 μ" Sn	
	Contact (Clip)	100 μ" Sn/Pb		100 μ" Sn	